



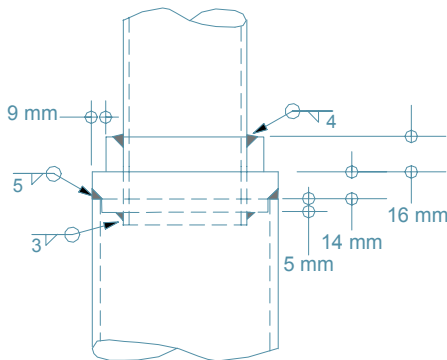
Square and Round columns

A.D.Coote manufactures a range of circular (pipe) and square (SHS) columns that are suitable for pedestrian areas as well as car parks and any other location where slimmer columns with clean lines are preferred. Our round and square columns are hot dip galvanised after fabrication and can be supplied in a variety of powder coated colours.

A single access door is supplied but due to the narrow sections of these columns they are only suitable for connection and fuses and it is recommended to use light fittings with integral gear. Spigot sizes can be customised to suit particular light fittings or special head frames can be manufactured.

Square and Circular columns come standard to eight metres but we will design and manufacture other heights on request as well as in-ground mounted versions.

Another option available with these columns is a stepped version where we manufacture a larger base section and reduce to a smaller shaft. Example pictured below

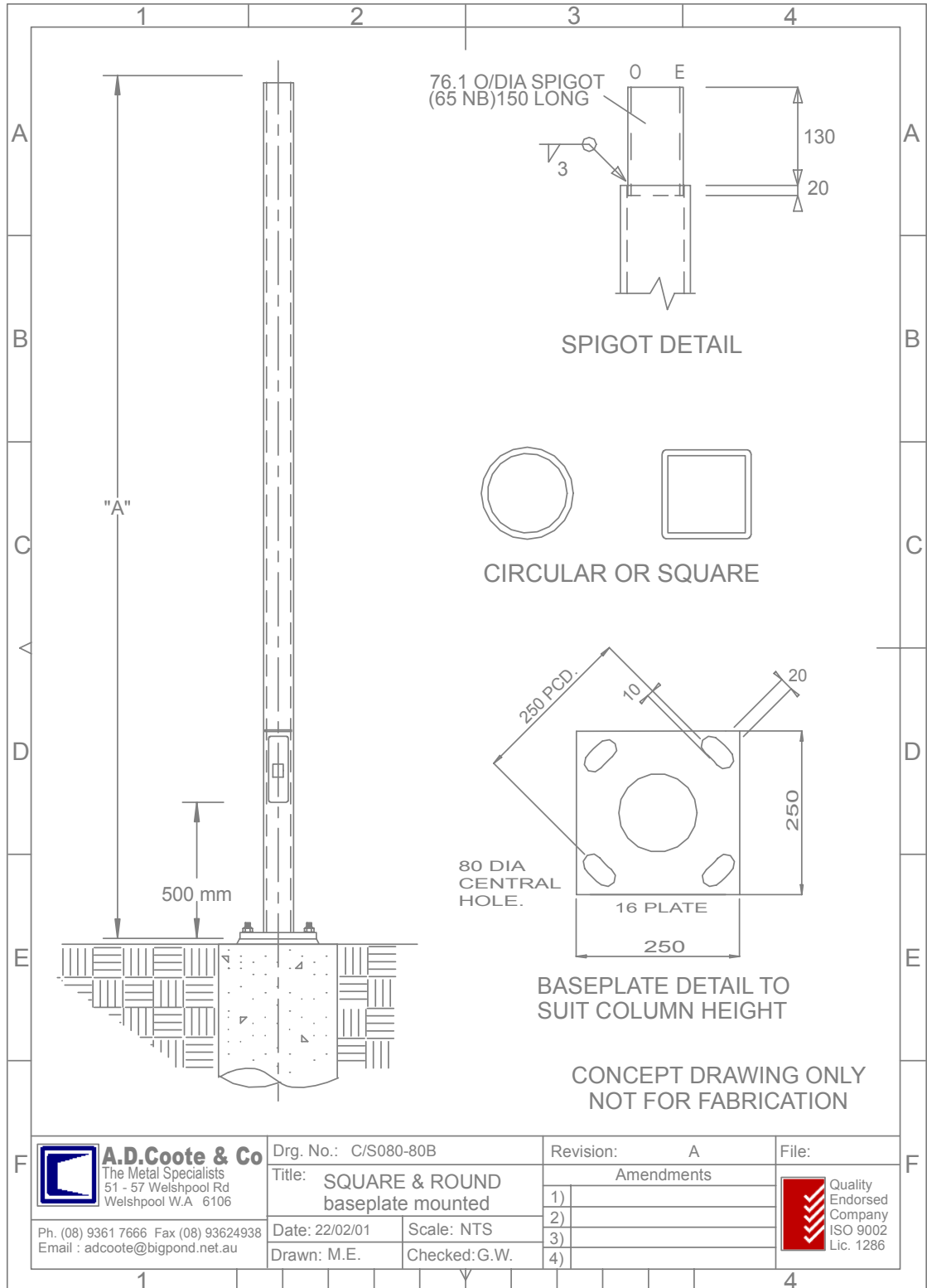


A.D.Coote & Company Pty. Ltd. offer a wide range of accessories and services including, but not limited to.

- Head Frames for single or multiple lighting arrangements
- Curved or Straight outreaches in single configuration or up to four arms
- Rag Bolts and cages with recommended footing sizes
- Camera Brackets or custom made brackets for other items such a speakers and signs
- Computer aided design facilities
- Assistance or organisation of installations
- Powder Coating or wet painting
- Delivery, including Hiab when prearranged (speak to our sales team)



Square and Round columns



A.D. Coote & Co
 The Metal Specialists
 51 - 57 Welshpool Rd
 Welshpool W.A. 6106

Ph. (08) 9361 7666 Fax (08) 93624938
 Email : adcoote@bigpond.net.au

Drg. No.: C/S080-80B

Title: **SQUARE & ROUND
 baseplate mounted**

Date: 22/02/01

Drawn: M.E.

Scale: NTS

Checked: G.W.

Revision: A

Amendments

- 1) _____
- 2) _____
- 3) _____
- 4) _____

File:



Quality
 Endorsed
 Company
 ISO 9001
 License No. QEC 1286
 Lic. 1286



Square and Round columns

Circular Columns

Code	Height metres	Pipe Diameter	Wall thickness	Weight kg	Door Width	Door Height	Ragbolts
C07-20B	2	76	4	23	50	150	R250164
C07-30B	3	76	4	30	50	150	R250164
C07-40B	4	76	4	37	50	150	R250164
C07-50B	5	76	4	44	50	150	R250164
C08-20B	2	89	4	27	50	150	R250164
C08-30B	3	89	4	36	50	150	R250164
C08-40B	4	89	4	45	50	150	R250164
C08-50B	5	89	4	54	50	150	R250164
C08-60B	6	89	4	63	50	150	R250164
C10-20B	2	101	4	30	70	150	R250164
C10-30B	3	101	4	40	70	150	R250164
C10-40B	4	101	4	50	70	150	R250164
C10-50B	5	101	4	61	70	150	R250164
C10-60B	6	101	4	71	70	150	R250164
C10-70B	7	101	4	86	70	150	R350244
C10-80B	8	101	4	97	70	150	R350244
C11-20B	2	114	5	35	70	150	R250164
C11-30B	3	114	5	48	70	150	R250164
C11-40B	4	114	5	61	70	150	R250164
C11-50B	5	114	5	74	70	150	R250164
C11-60B	6	114	5	87	70	150	R250164
C11-70B	7	114	5	105	70	150	R350244
C11-80B	8	114	5	118	70	150	R350244

Product Codes

This table displaying our standard range of Circular Columns are identified with the code on the left side of the chart (identified C = circular, 07 = nominal pipe diameter, 3.0 = height in metres, B for base plate mount).



Square and Round columns

Square Columns

Code	Height metres	RHS size	Wall thickness	Weight kg	Door Width	Door Height	Ragbolts
S07-20B	2	75 x 75	4	29	50	150	R250164
S07-30B	3	75 x 75	4	37	50	150	R250164
S07-40B	4	75 x 75	4	46	50	150	R250164
S07-50B	5	75 x 75	4	55	50	150	R250164
S08-20B	2	89 x 89	5	36	50	150	R250164
S08-30B	3	89 x 89	5	49	50	150	R250164
S08-40B	4	89 x 89	5	63	50	150	R250164
S08-50B	5	89 x 89	5	76	50	150	R250164
S08-60B	6	89 x 89	5	89	50	150	R250164
S10-20B	2	100 x 100	5	40	70	150	R250164
S10-30B	3	100 x 100	5	55	70	150	R250164
S10-40B	4	100 x 100	5	70	70	150	R250164
S10-50B	5	100 x 100	5	85	70	150	R250164
S10-60B	6	100 x 100	5	100	70	150	R250164
S10-70B	7	100 x 100	5	120	70	150	R350244
S10-80B	8	100 x 100	5	135	70	150	R350244
S12-20B	2	125 x 125	5	48	70	150	R250164
S12-30B	3	125 x 125	5	67	70	150	R250164
S12-40B	4	125 x 125	5	87	70	150	R250164
S12-50B	5	125 x 125	5	106	70	150	R250164
S12-60B	6	125 x 125	5	125	70	150	R250164
S12-70B	7	125 x 125	5	150	70	150	R350244
S12-80B	8	125 x 125	5	169	70	150	R350244

Product Codes

This table displaying our standard range of Square Columns are identified with the code on the left side of the chart (identified S = square, 07 = nominal pipe diameter, 3.0 = height in metres B for base plate mount).